



MBB

5BB

*Black frame product can be provided upon request.

KuPower

HIGH EFFICIENCY MONO PERC MODULE

CS3K-310 | 315 | 320 | 325MS (IEC1000V)
CS3K-310 | 315 | 320 | 325MS (IEC1500V)

MORE POWER



Low power loss in cell connection



Low NMOT: 41 ± 3 °C
Low temperature coefficient (Pmax): -0.37% / °C



Better shading tolerance



High PTC rating of up to: **93.11 %**

MORE RELIABLE



Lower hot spot temperature



Minimizes micro-cracks



Heavy snow load up to **6000 Pa**,
wind load up to **4000 Pa***



linear power output warranty



product warranty on materials
and workmanship

MANAGEMENT SYSTEM CERTIFICATES

ISO 9001:2008 / Quality management system
ISO 14001:2004 / Standards for environmental management system
OHSAS 18001:2007 / International standards for occupational health & safety

PRODUCT CERTIFICATES*

IEC 61215 / IEC 61730: VDE / CE / MCS
UL 1703: CSA / IEC61701 ED2: VDE / IEC62716: VDE / IEC60068-2-68: SGS
Take-e-way



*We can provide this product with special BOM specifically certified with salt mist, ammonia and sand blowing tests. Please talk to our local technical sales representatives to get your customized solutions.

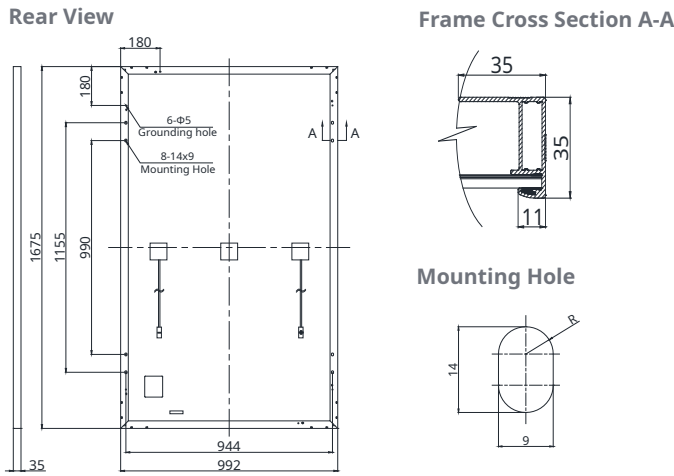
CANADIAN SOLAR INC. is committed to providing high quality solar products, solar system solutions and services to customers around the world. No. 1 module supplier for quality and performance/price ratio in IHS Module Customer Insight Survey. As a leading PV project developer and manufacturer of solar modules with over 30 GW deployed around the world since 2001.

* For detailed information, please refer to Installation Manual.

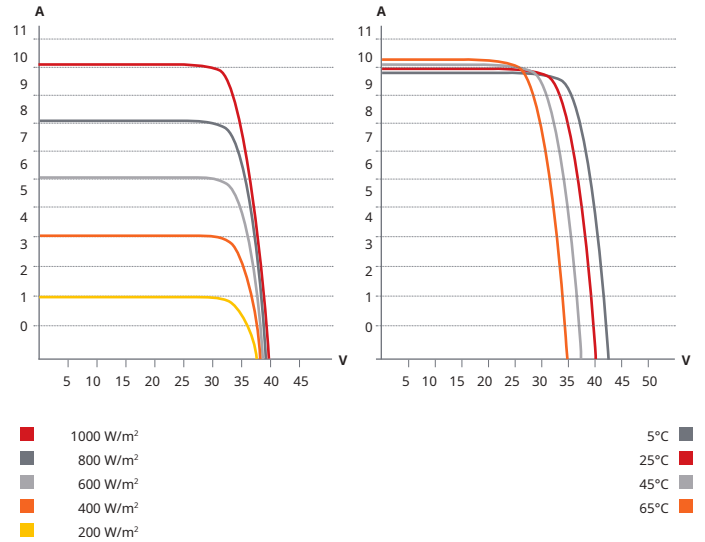
CANADIAN SOLAR INC.

Canadian Solar MSS (Australia) Pty Ltd., 44 Stephenson St, Cremorne VIC 3121, Australia
support@canadiansolar.com, www.canadiansolar.com/au

ENGINEERING DRAWING (mm)



CS3K-315MS / I-V CURVES



ELECTRICAL DATA | STC*

CS3K	310MS	315MS	320MS	325MS
Nominal Max. Power (Pmax)	310 W	315 W	320 W	325 W
Opt. Operating Voltage (Vmp)	32.9 V	33.1 V	33.3 V	33.5 V
Opt. Operating Current (Imp)	9.43 A	9.52 A	9.61 A	9.71 A
Open Circuit Voltage (Voc)	39.7 V	39.9 V	40.1 V	40.3 V
Short Circuit Current (Isc)	9.98 A	10.06 A	10.14 A	10.22 A
Module Efficiency	18.66%	18.96%	19.26%	19.56%
Operating Temperature	-40°C ~ +85°C			
Max. System Voltage	1500V (IEC/UL) or 1000V (IEC/UL)			
Module Fire Performance	TYPE 3 / Type 13 (UL 1703) or CLASS A (IEC61730)			
Max. Series Fuse Rating	30 A			
Application Classification	Class A			
Power Tolerance	0 ~ + 5 W			

* Under Standard Test Conditions (STC) of irradiance of 1000 W/m², spectrum AM 1.5 and cell temperature of 25°C. Measurement uncertainty: ±3 % (Pmax).

ELECTRICAL DATA | NMOT*

CS3K	310MS	315MS	320MS	325MS
Nominal Max. Power (Pmax)	231 W	235 W	239 W	243 W
Opt. Operating Voltage (Vmp)	30.5 V	30.7 V	30.9 V	31.1 V
Opt. Operating Current (Imp)	7.58 A	7.65 A	7.73 A	7.80 A
Open Circuit Voltage (Voc)	37.3 V	37.5 V	37.7 V	37.9 V
Short Circuit Current (Isc)	8.05 A	8.11 A	8.18 A	8.24 A

* Under Nominal Module Operating Temperature (NMOT), irradiance of 800 W/m², spectrum AM 1.5, ambient temperature 20°C, wind speed 1 m/s.

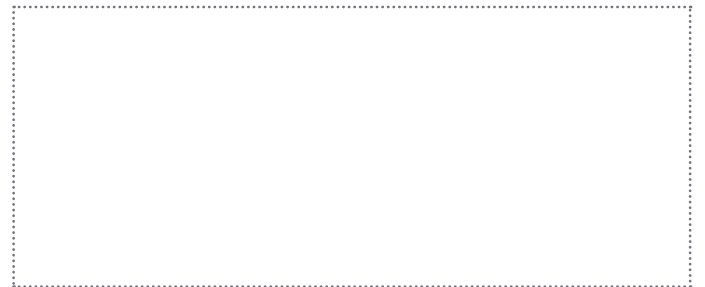
MECHANICAL DATA

Specification	Data
Cell Type	Mono-crystalline
Cell Arrangement	120 [2 X (10 X 6)]
Dimensions	1675 X 992 X 35 mm (65.9 X 39.1 X 1.38 in)
Weight	18.5 kg (40.8 lbs)
Front Cover	3.2 mm tempered glass
Frame	Anodized aluminium alloy
J-Box	IP68, 3 diodes
Cable	4.0 mm² (IEC), 12 AWG (UL),
Cable Length (Including Connector)	Portrait: 400 mm (15.7 in) (+) / 280 mm (11.0 in) (-); landscape: 1160 mm (45.7 in)*
Connector	T4 series (MC4 series is available)
Per Pallet	30 pieces
Per Container (40' HQ)	840 pieces

TEMPERATURE CHARACTERISTICS

Specification	Data
Temperature Coefficient (Pmax)	-0.37 % / °C
Temperature Coefficient (Voc)	-0.29 % / °C
Temperature Coefficient (Isc)	0.05 % / °C
Nominal Module Operating Temperature	41 ± 3°C

PARTNER SECTION



* The specifications and key features contained in this datasheet may deviate slightly from our actual products due to the on-going innovation and product enhancement. Canadian Solar Inc. reserves the right to make necessary adjustment to the information described herein at any time without further notice.

CANADIAN SOLAR INC.

Canadian Solar MSS (Australia) Pty Ltd., 44 Stephenson St, Cremorne VIC 3121, Australia
support@canadiansolar.com, www.canadiansolar.com/au

Jun. 2019. All rights reserved, PV Module Product Datasheet V5.583_AU

Manufacture in China, Thailand and Vietnam.