

# Cheetah 60M-V 310-330 Watt

MONO PERC MODULE

Positive power tolerance of 0~+3%

ISO9001:2008, ISO14001:2004, OHSAS18001 certified factory

IEC61215, IEC61730, UL1703 certified product

(Made in China)



PERC



## KEY FEATURES



### 5 Busbar Solar Cell

5 busbar solar cell adopts new technology to improve the efficiency of modules, offers a better aesthetic appearance, making it perfect for rooftop installation.



### High Voltage

UL and IEC 1500V certified; lowers BOS costs and yields better LCOE



### High Efficiency

Higher module conversion efficiency (up to 20.38%) benefit from Passivated Emmitter Rear Contact (PERC) technology.



### PID Resistance

Excellent Anti-PID performance guarantee limited power degradation for mass production.



### Low-light Performance

Advanced glass and cell surface textured design ensure excellent performance in low-light environment.



### Severe Weather Resilience

Certified to withstand: wind load (2400 Pascal) and snow load (5400 Pascal).



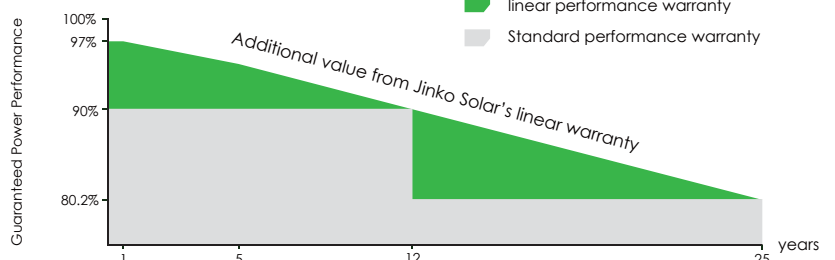
### Durability Against Extreme Environmental Conditions

High salt mist and ammonia resistance certified by TUV NORD.

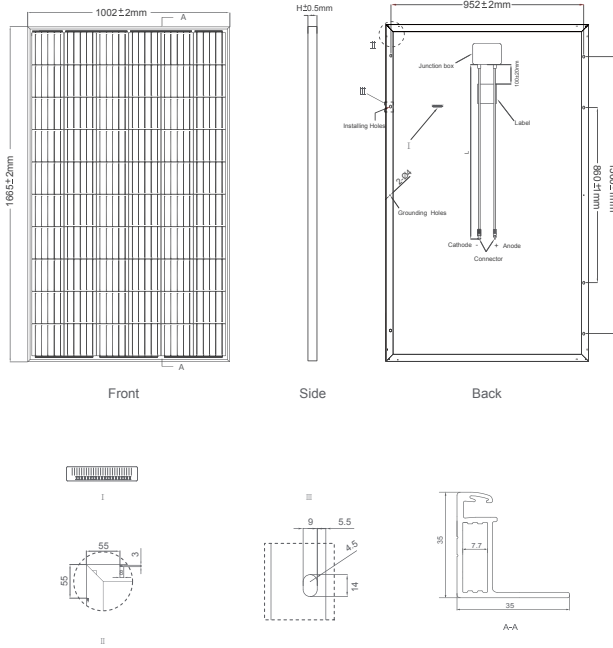


## LINEAR PERFORMANCE WARRANTY

10 Year Product Warranty • 25 Year Linear Power Warranty



## Engineering Drawings

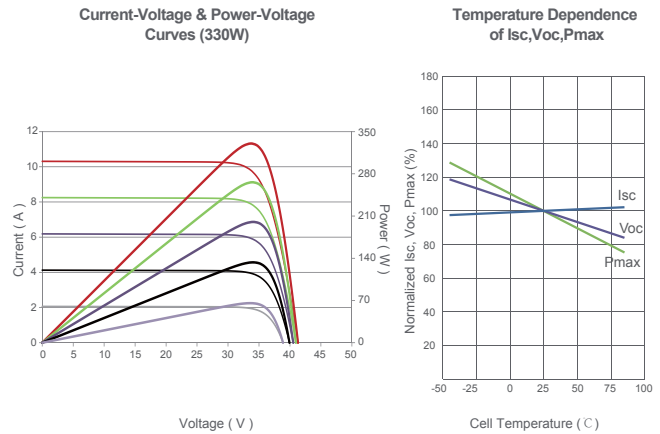


## Packaging Configuration

(Two pallets = One stack)

30pcs/pallet, 60pcs/stack, 840pcs/40'HQ Container

## Electrical Performance & Temperature Dependence



## Mechanical Characteristics

|               |   |
|---------------|---|
| Cell Type     | Mono PERC 158.75×158.75mm   |
| No. of cells  | 60 (6×10)   |
| Dimensions    | 1665×1002×35mm (65.55×39.45×1.38 inch)                                      |
| Weight        | 19.0 kg (41.9 lbs)  |
| Front Glass   | 3.2mm, Anti-Reflection Coating, High Transmission, Low Iron, Tempered Glass |
| Frame         | Anodized Aluminium Alloy  |
| Junction Box  | IP67 Rated  |
| Output Cables | TÜV 1×4.0mm <sup>2</sup> , Length 900mm or Customized Length                |
| Connector     | JK03M; Jinko PV Material  |

## SPECIFICATIONS

| Module Type                               | JKM310M-60-V  |       | JKM315M-60-V |       | JKM320M-60-V |       | JKM325M-60-V |       | JKM330M-60-V |       |
|---|---------------|-------|--------------|-------|--------------|-------|--------------|-------|--------------|-------|
|   | STC           | NOCT  | STC          | NOCT  | STC          | NOCT  | STC          | NOCT  | STC          | NOCT  |
| Maximum Power (Pmax)                      | 310Wp         | 231Wp | 315Wp        | 235Wp | 320Wp        | 239Wp | 325Wp        | 242Wp | 330Wp        | 246Wp |
| Maximum Power Voltage (Vmp)               | 33.0V         | 31.0V | 33.2V        | 31.2V | 33.4V        | 31.4V | 33.6V        | 31.6V | 33.8V        | 31.8V |
| Maximum Power Current (Imp)               | 9.40A         | 7.49A | 9.49A        | 7.56A | 9.59A        | 7.62A | 9.68A        | 7.66A | 9.77A        | 7.74A |
| Open-circuit Voltage (Voc)                | 40.5V         | 37.4V | 40.7V        | 37.6V | 40.9V        | 37.8V | 41.1V        | 38.0V | 41.3V        | 38.2V |
| Short-circuit Current (Isc)               | 10.15A        | 8.20A | 10.23A       | 8.33A | 10.31A       | 8.44A | 10.50A       | 8.54A | 10.61A       | 8.65A |
| Module Efficiency STC (%)                 | 18.58%        |       | 18.88%       |       | 19.18%       |       | 19.48%       |       | 19.78%       |       |
| Operating Temperature (°C)                | -40°C~+85°C   |       |              |       |              |       |              |       |              |       |
| Maximum System Voltage                    | 1500VDC (IEC) |       |              |       |              |       |              |       |              |       |
| Maximum Series Fuse Rating                | 20A           |       |              |       |              |       |              |       |              |       |
| Power Tolerance                           | 0~+3%         |       |              |       |              |       |              |       |              |       |
| Temperature Coefficients of Pmax          | -0.37%/°C     |       |              |       |              |       |              |       |              |       |
| Temperature Coefficients of Voc           | -0.28%/°C     |       |              |       |              |       |              |       |              |       |
| Temperature Coefficients of Isc           | 0.048%/°C     |       |              |       |              |       |              |       |              |       |
| Nominal Operating Cell Temperature (NOCT) | 45±2°C        |       |              |       |              |       |              |       |              |       |

STC: ☀️ Irradiance 1000W/m<sup>2</sup>

🔥 Cell Temperature 25°C

☁️ AM=1.5

NOCT: ☀️ Irradiance 800W/m<sup>2</sup>

🔥 Ambient Temperature 20°C

☁️ AM=1.5

🌀 Wind Speed 1m/s

\* Power measurement tolerance: ± 3%